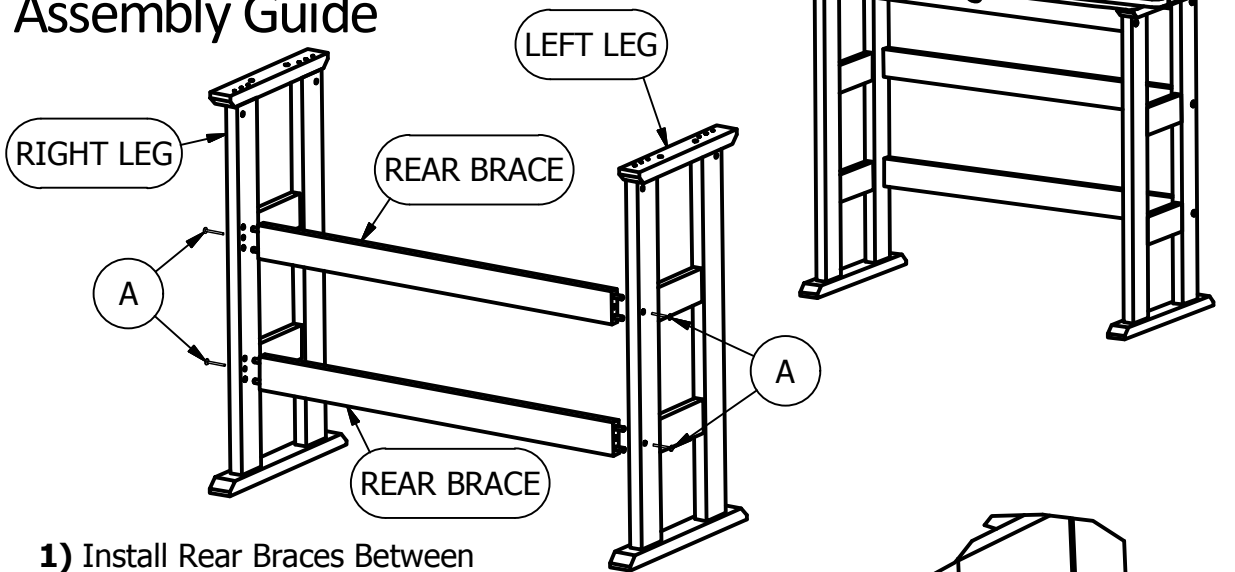
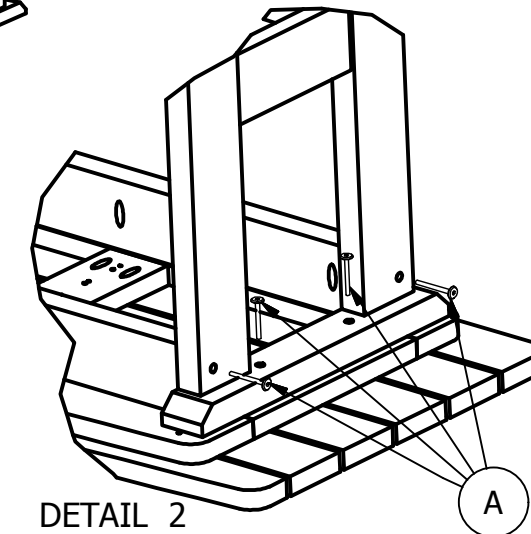
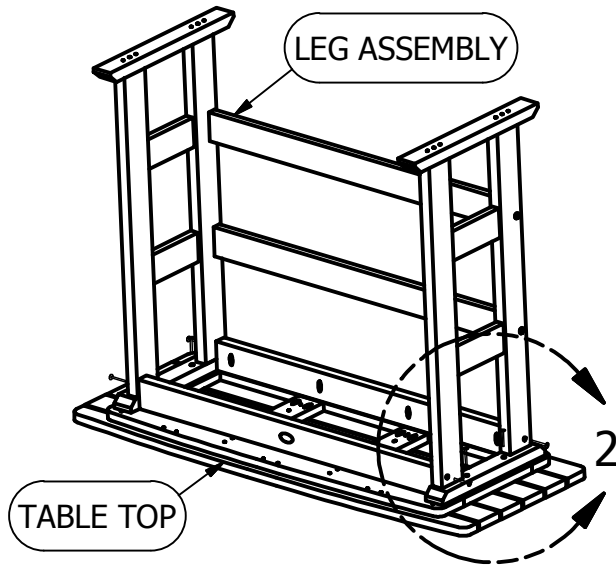


Balcony Bar Table

Assembly Guide



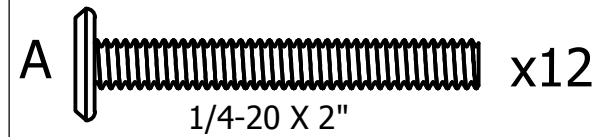
- 1)** Install Rear Braces Between Right Leg & Left Leg using (2) "A" Bolts on Each Side as Shown.



DETAIL 2

- 2)** Turn Leg Assembly Over and Set on Table Top as Shown. Attach Leg Assembly to One Side of Table Top Using (4) "A" Bolts. Repeat on Other Side.

HARDWARE



IMPORTANT!

DO NOT fully tighten the bolts until all bolts are started. Once all bolts are inserted, go back & tighten all the bolts.

Retain these instructions for future reference

INCLUDED TOOLS

